



AQUIND Limited

AQUIND INTERCONNECTOR

Alternative Indicative Optical
Regeneration Station(s) Elevations and
Floor Plans

The Planning Act 2008

Infrastructure Planning (Examination Procedure) Rules 2010 – Rule 8(1)(c)

Document Ref: 2.10

PINS Ref.: EN020022

AQUIND Limited

AQUIND INTERCONNECTOR

Alternative Indicative Optical
Regeneration Station(s)
Elevations and Floor Plans

PINS REF.: EN020022

DOCUMENT: 2.10

DATE: 16 SEPTEMBER 2021

WSP

WSP House

70 Chancery Lane

London

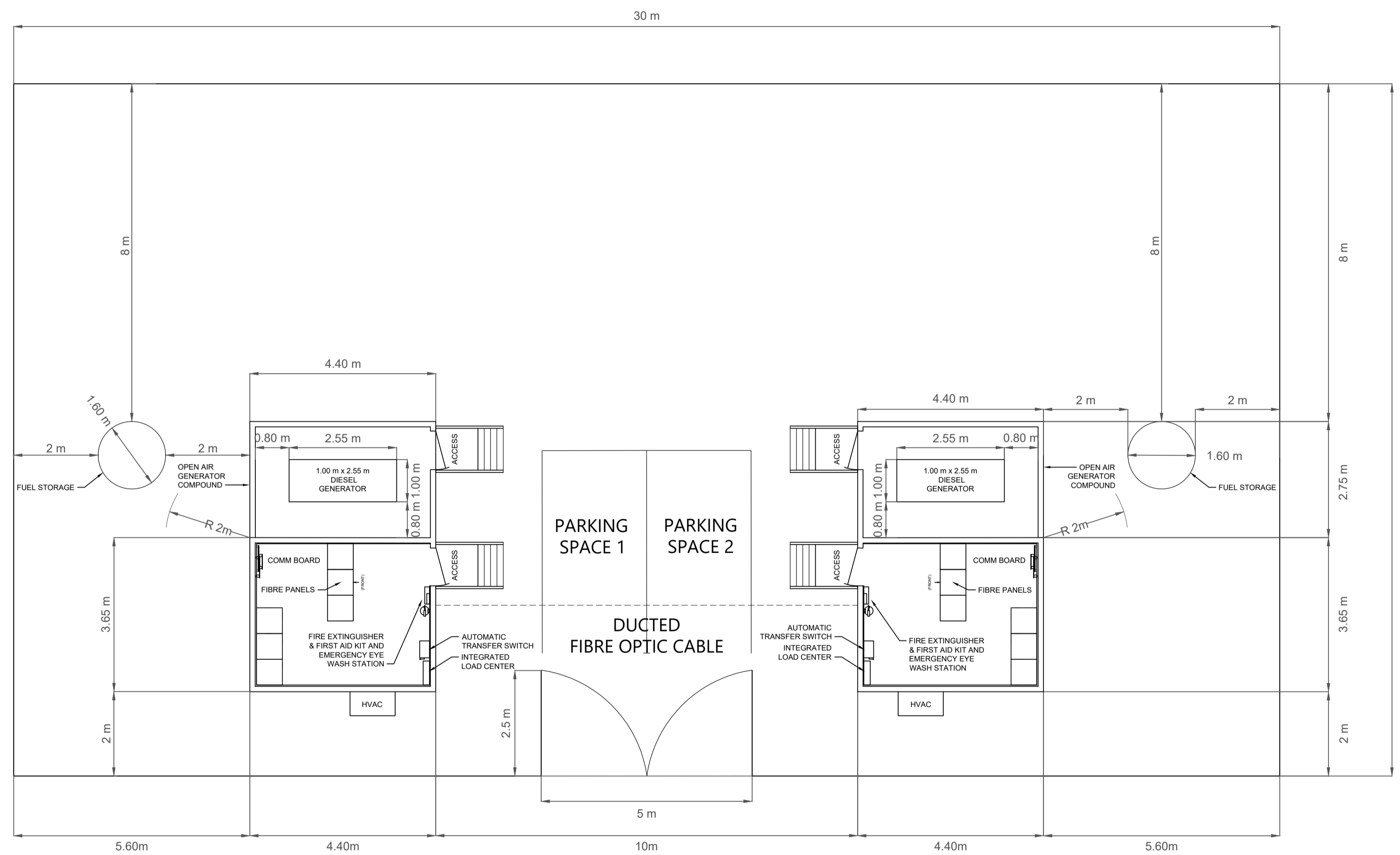
WC2A 1AF

+44 20 7314 5000

www.wsp.com

CONTENTS

EN020022-2.10-EL-Sheet1	Application document reference 2.10 Indicative Optical Regeneration Station(s) Elevations and Floor Plans Sheet 1 of 3
EN020022-2.10-EL-Sheet2	Application document reference 2.10 Indicative Optical Regeneration Station(s) Elevations and Floor Plans Sheet 2 of 3
EN020022-2.10-EL-Sheet3	Application document reference 2.10 Indicative Optical Regeneration Station(s) Elevations and Floor Plans Option A Sheet 3 of 3



1 Optical Regeneration Station(s) Compound Plan View
1 : 75

Infrastructure Planning (Applications: Prescribed Forms and Procedure) Regulations 2009 - Regulation 5(2)(o)

REV	DATE	BY	DESCRIPTION	CHK	APP
03	08/09/2021	BP	THIRD ISSUE	ST	ST
02	15/09/2020	AL	SECOND ISSUE	JC	JC
01	29/10/2019	AL	FIRST ISSUE	JC	JC

DRAWING STATUS: ILLUSTRATIVE

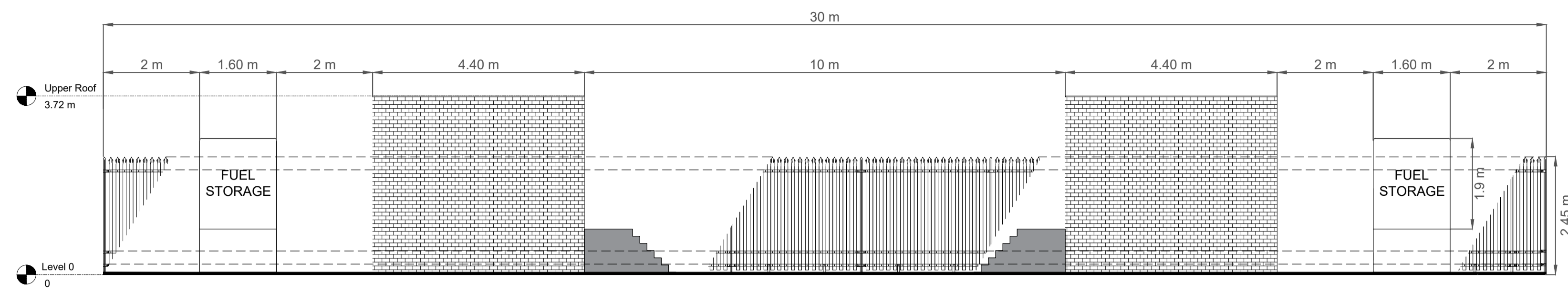


PROJECT: AQUIND Interconnector

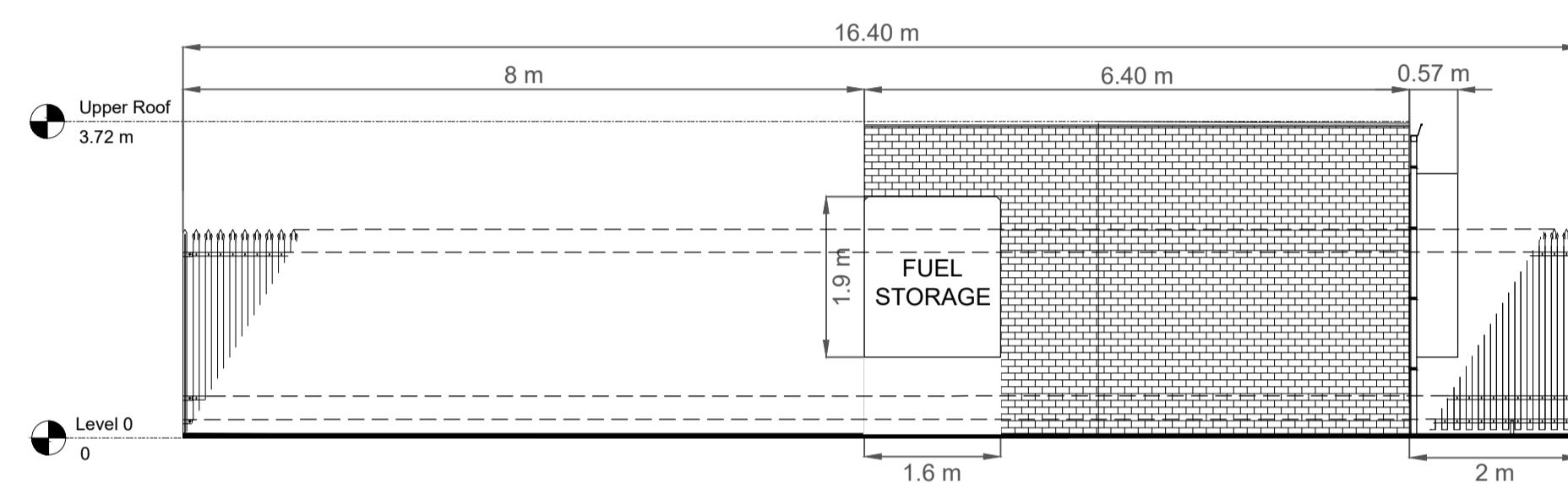
TITLE: Application document reference 2.10
Indicative Optical Regeneration Station(s)
Elevations and Floor Plans
Sheet 1 of 3

SCALE AT A1: 1:75	CHECKED: J Crouch	APPROVED: J Crouch
PROJECT No: EN020022	DESIGNED: A Lenia	DRAWN: A Lenia
		DATE: 15/09/2020

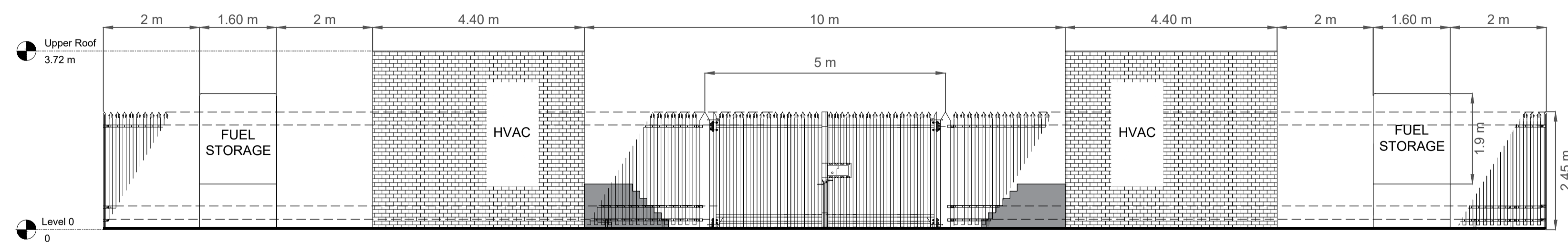
DRAWING No: EN020022-2.10-EL-Sheet1	REV: 03
--	------------



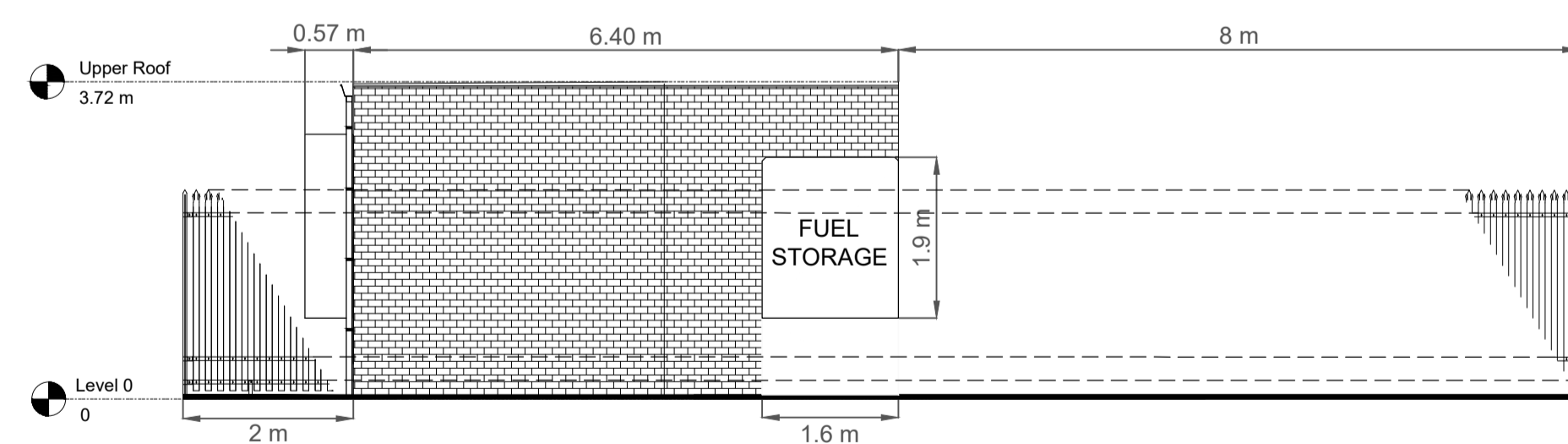
ELEVATION EL-N
1:75



ELEVATION EL-W
1:75

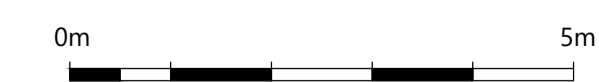


ELEVATION EL-S
1:75



ELEVATION EL-E
1:75

1 Optical Regeneration Station(s) Compound Elevation View
1:75



Infrastructure Planning (Applications: Prescribed Forms and Procedure) Regulations 2009 - Regulation 5(2)(o)

REV	DATE	BY	DESCRIPTION	CHK	APP
03	09/09/2021	BP	THIRD ISSUE	ST	ST
02	15/09/2020		SECOND ISSUE	JC	JC
01	28/10/2019	AL	FIRST ISSUE	JC	JC

DRAWING STATUS: ILLUSTRATIVE



PROJECT: AQUIND Interconnector


TITLE: Application document reference 2.10 Indicative Optical Regeneration Station(s) Elevations and Floor Plans Sheet 2 of 3

SCALE AT A1:	CHECKED:	APPROVED:	
1:75	J Crouch	J Crouch	
PROJECT No:	DESIGNED:	DRAWN:	DATE:
EN020022	A Lenia	A Lenia	15/09/2020

DRAWING No: EN020022-2.10-EL-Sheet2 REV: 03

© 2019 BURNS & MCDONNELL EUROPE (UK) Limited



LEGEND KEY
 ORDER LIMITS

Infrastructure Planning (Applications: Prescribed Forms and Procedure) Regulations 2009 - Regulation 5(2)(o)

REV	DATE	BY	DESCRIPTION	CHK	APP
03	09/09/2021	BP	THIRD ISSUE	ST	ST
02	15/09/2020	AL	SECOND ISSUE	JC	JC
01	28/10/2019	AL	FIRST ISSUE	JC	JC

DRAWING STATUS: **ILLUSTRATIVE**



PROJECT:
AQUIND Interconnector

TITLE:
**Application document reference 2.10
 Indicative Optical Regeneration Station(s)
 Elevations and Floor Plans
 Option A
 Sheet 3 of 3**

SCALE AT A1: 1:250	CHECKED: J Crouch	APPROVED: J Crouch
-----------------------	----------------------	-----------------------

PROJECT No: EN020022	DESIGNED: A Lenia	DRAWN: A Lenia	DATE: 15/09/2020
-------------------------	----------------------	-------------------	---------------------

DRAWING No: EN020022-2.10-EL-Sheet3	REV: 03
--	------------

© 2019 BURNS & McDONNELL EUROPE (UK) Limited

1 **Optical Regeneration Station(s) Compound Plan View**
 1 : 250

